



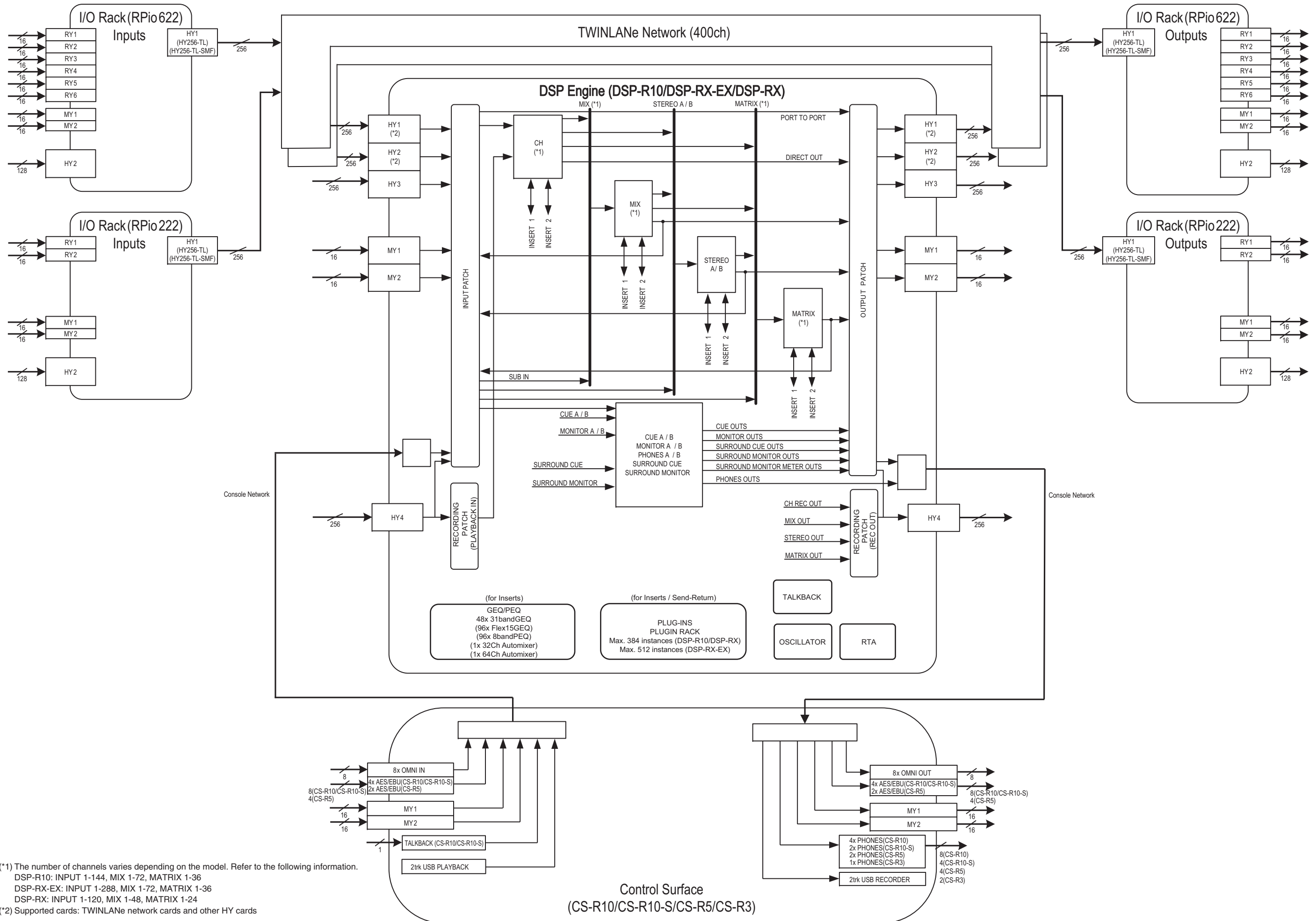
DIGITAL MIXING SYSTEM

**RIVAGE**  
=====**PM**

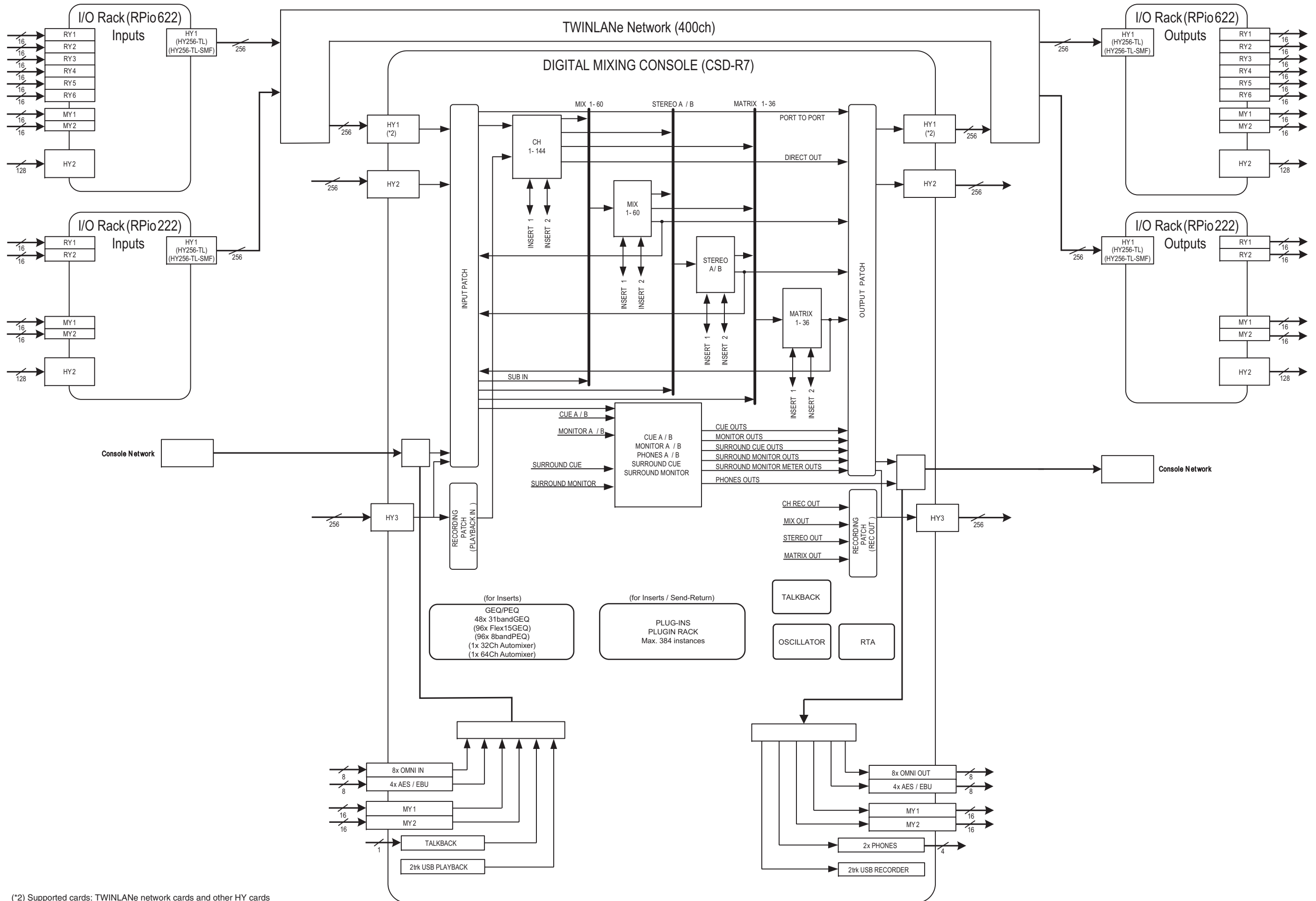
# Block Diagram

# Block Diagram

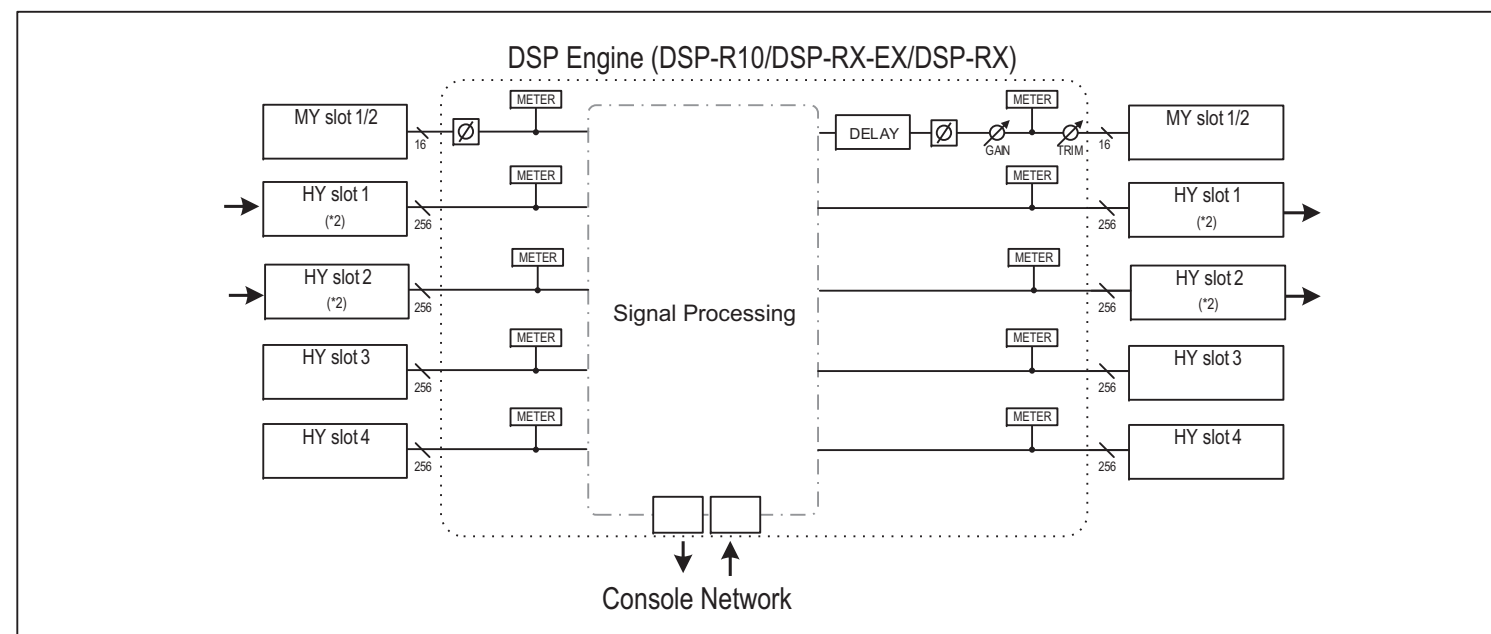
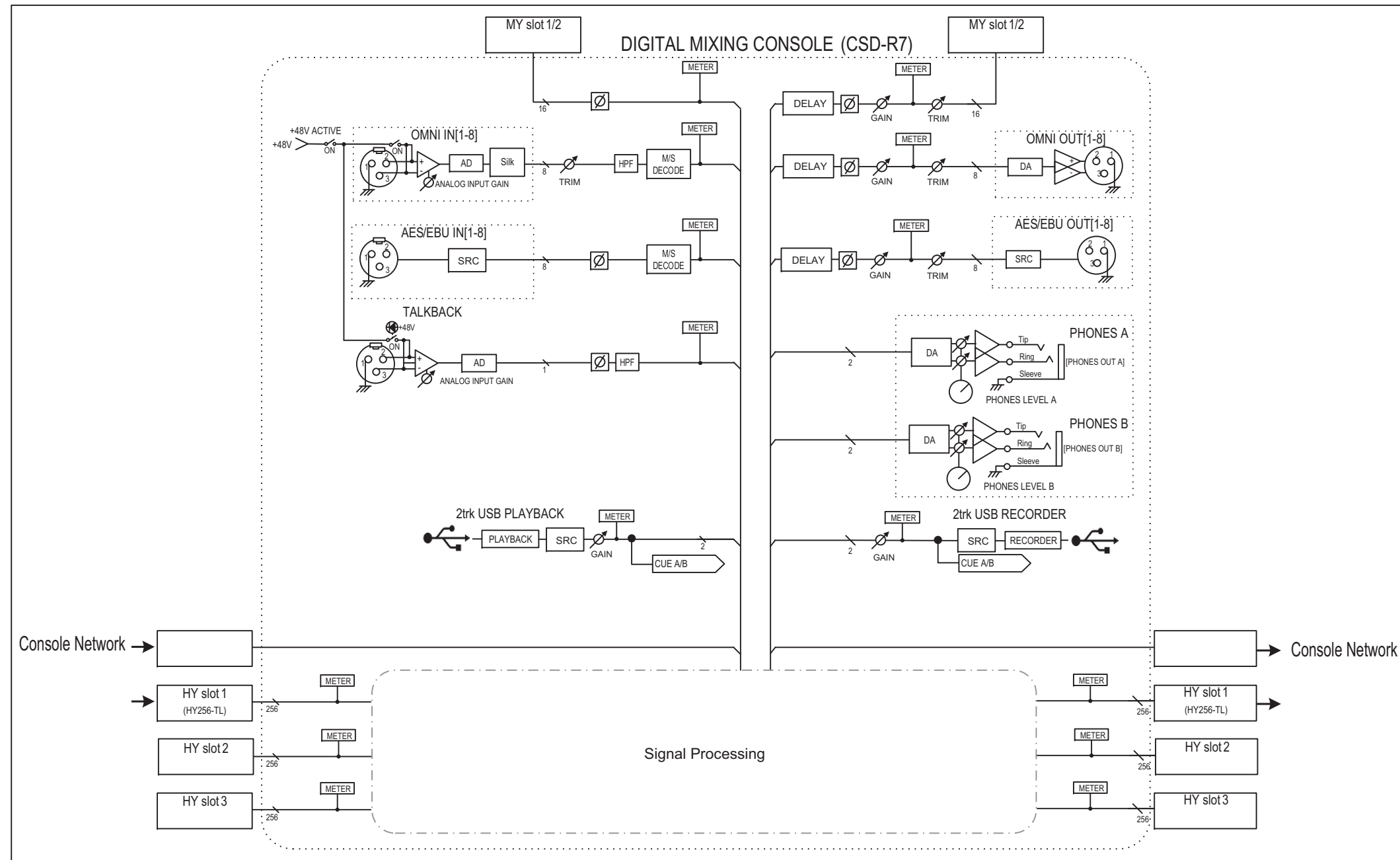
# System Overview (PM10, PM5, PM3)



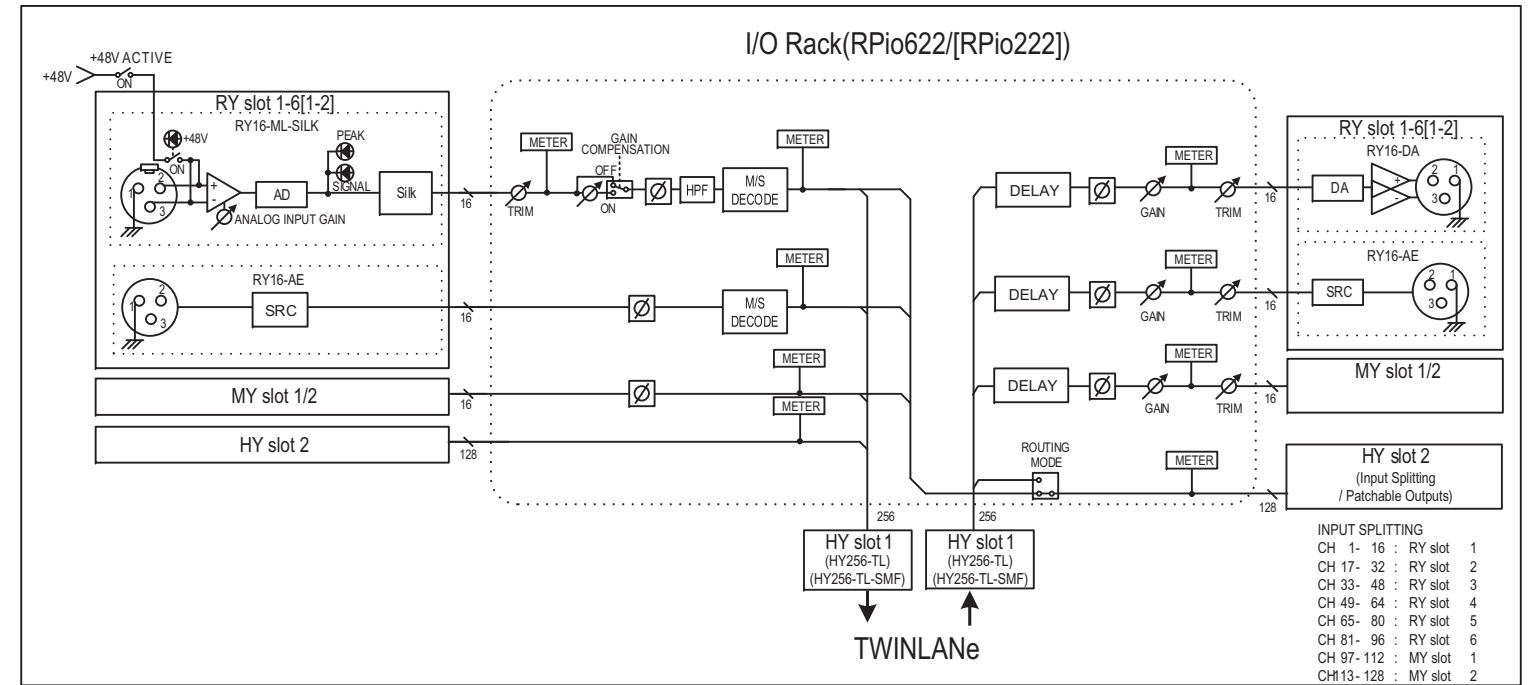
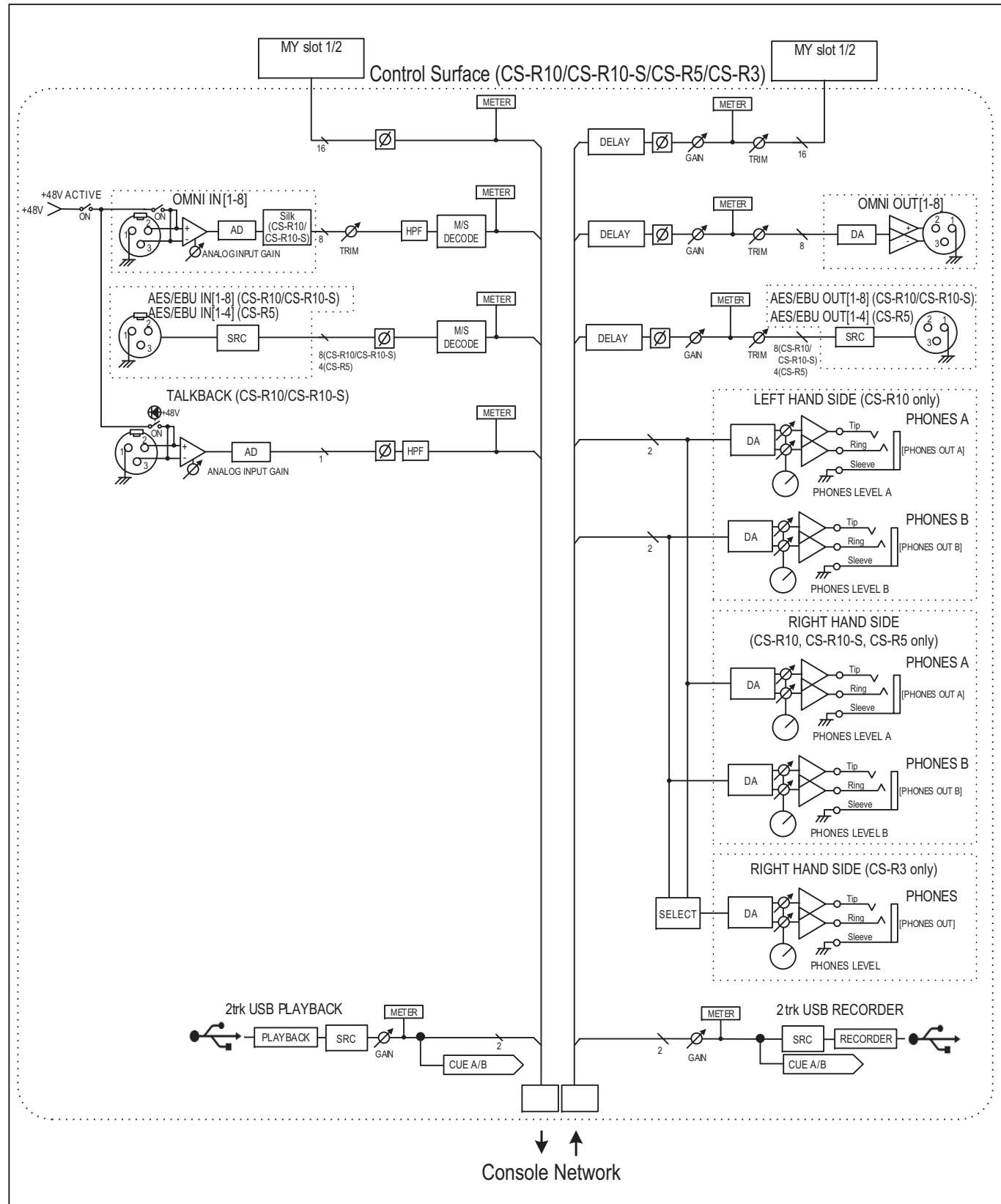
(\*1) The number of channels varies depending on the model. Refer to the following information.  
 DSP-R10: INPUT 1-144, MIX 1-72, MATRIX 1-36  
 DSP-RX-EX: INPUT 1-288, MIX 1-72, MATRIX 1-36  
 DSP-RX: INPUT 1-120, MIX 1-48, MATRIX 1-24  
 (\*2) Supported cards: TWINLANE network cards and other HY cards

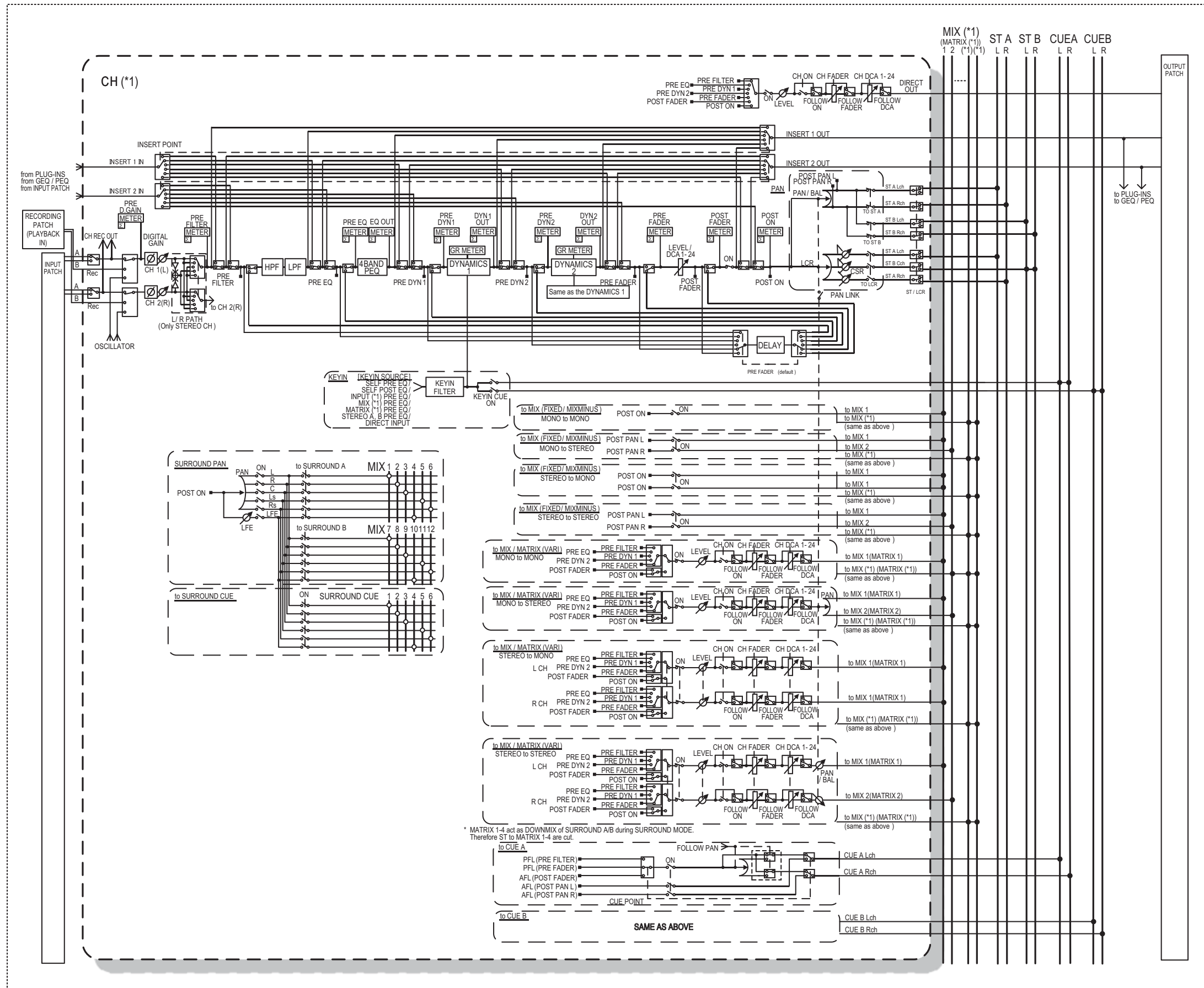


(\*2) Supported cards: TWINLANE network cards and other HY cards

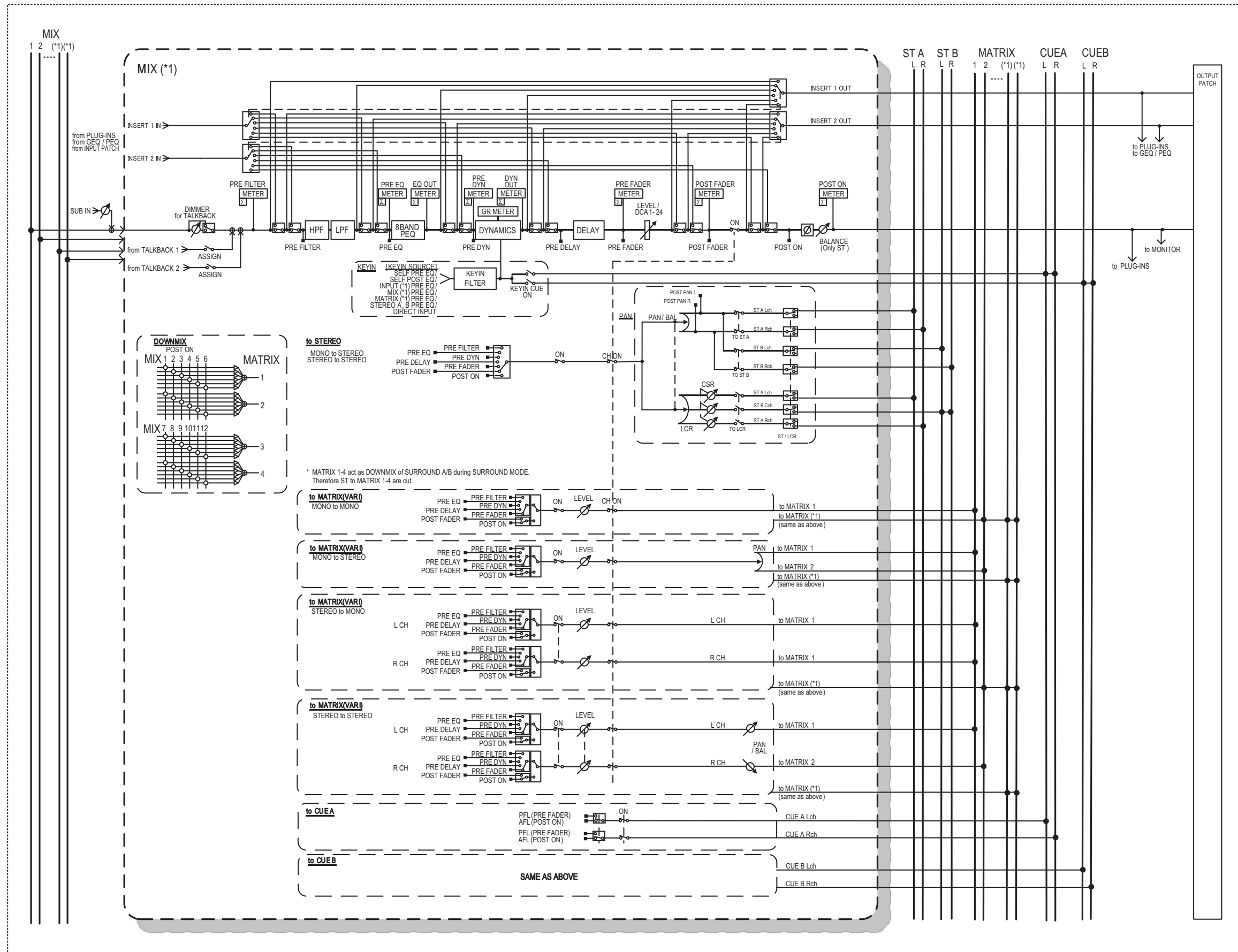


(\*2) Supported cards: TWINLANe network cards and other HY cards

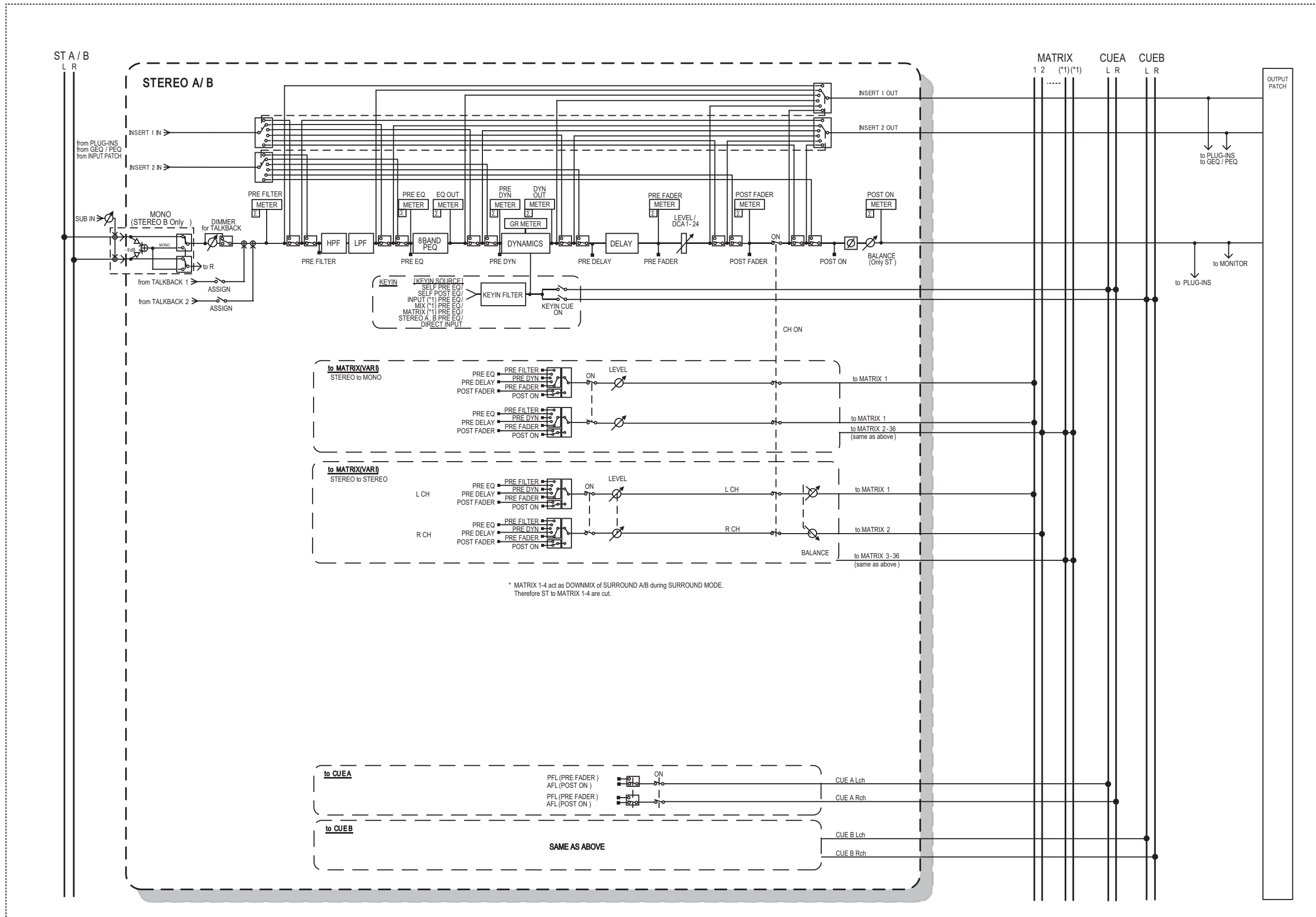




(\*1) The number of channels varies depending on the model. Refer to the following information.  
 CSD-R7: INPUT 1-144, MIX 1-60, MATRIX 1-36  
 DSP-R10: INPUT 1-144, MIX 1-72, MATRIX 1-36  
 DSP-RX-EX: INPUT 1-288, MIX 1-72, MATRIX 1-36  
 DSP-RX: INPUT 1-120, MIX 1-48, MATRIX 1-24

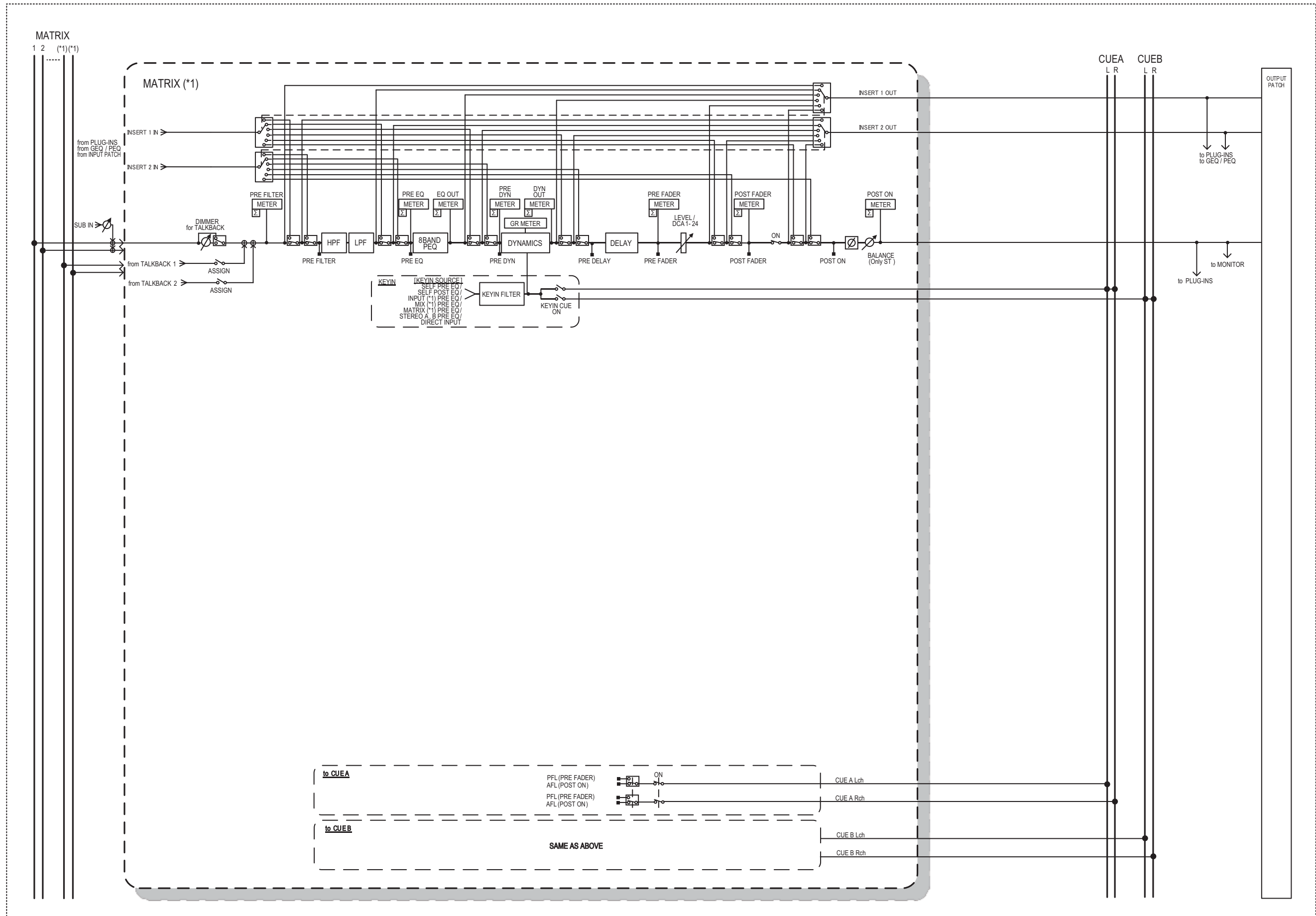


(\*1) The number of channels varies depending on the model. Refer to the following information.  
 CSD-R7: INPUT 1-144, MIX 1-60, MATRIX 1-36  
 DSP-R10: INPUT 1-144, MIX 1-72, MATRIX 1-36  
 DSP-RX-EX: INPUT 1-288, MIX 1-72, MATRIX 1-36  
 DSP-RX: INPUT 1-120, MIX 1-48, MATRIX 1-24

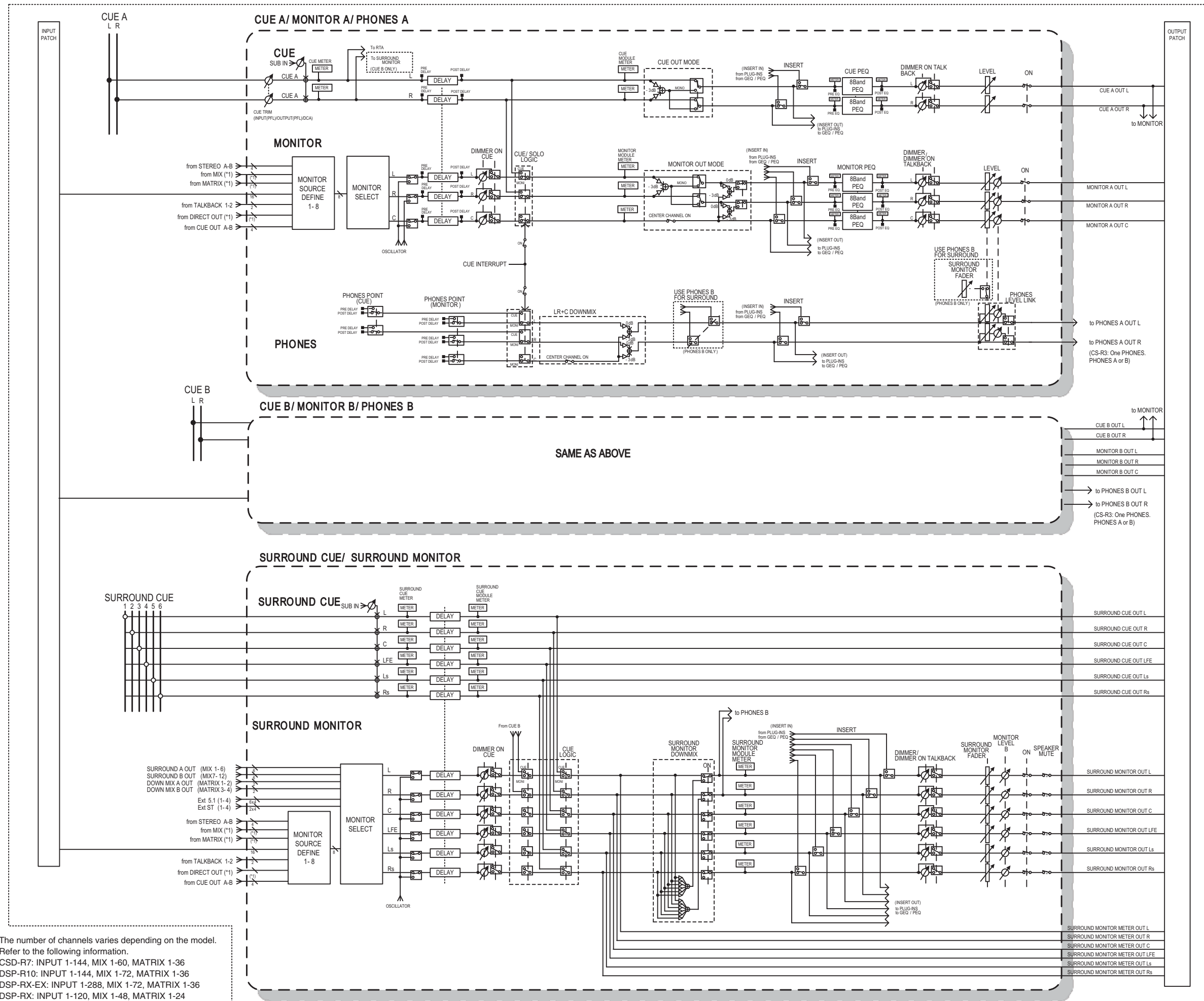


(\*1) The number of channels varies depending on the model. Refer to the following information.  
 CSD-R7: INPUT 1-144, MIX 1-60, MATRIX 1-36  
 DSP-R10: INPUT 1-144, MIX 1-72, MATRIX 1-36  
 DSP-RX-EX: INPUT 1-288, MIX 1-72, MATRIX 1-36  
 DSP-RX: INPUT 1-120, MIX 1-48, MATRIX 1-24



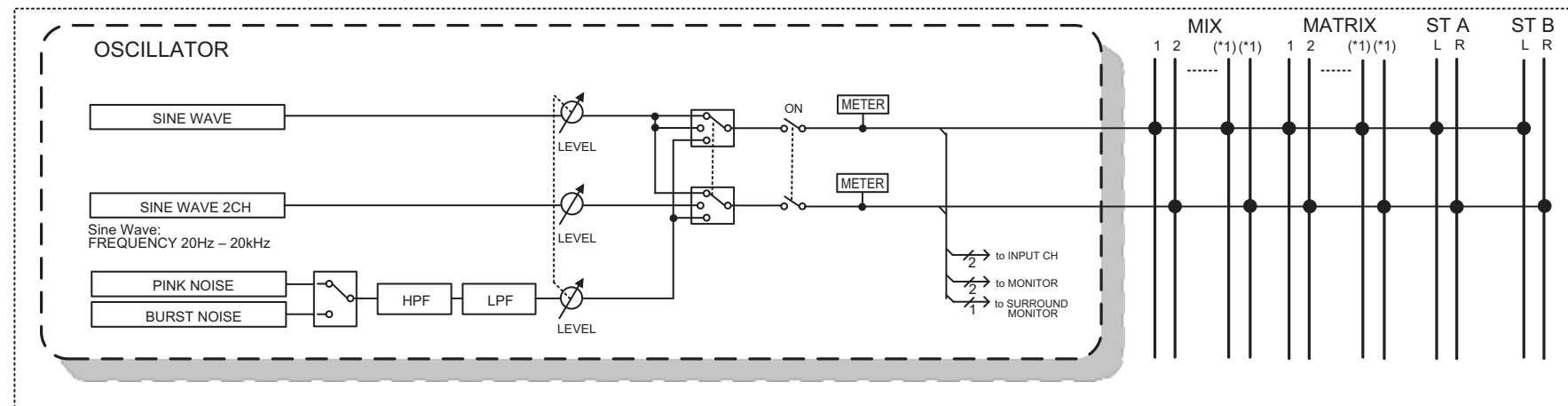
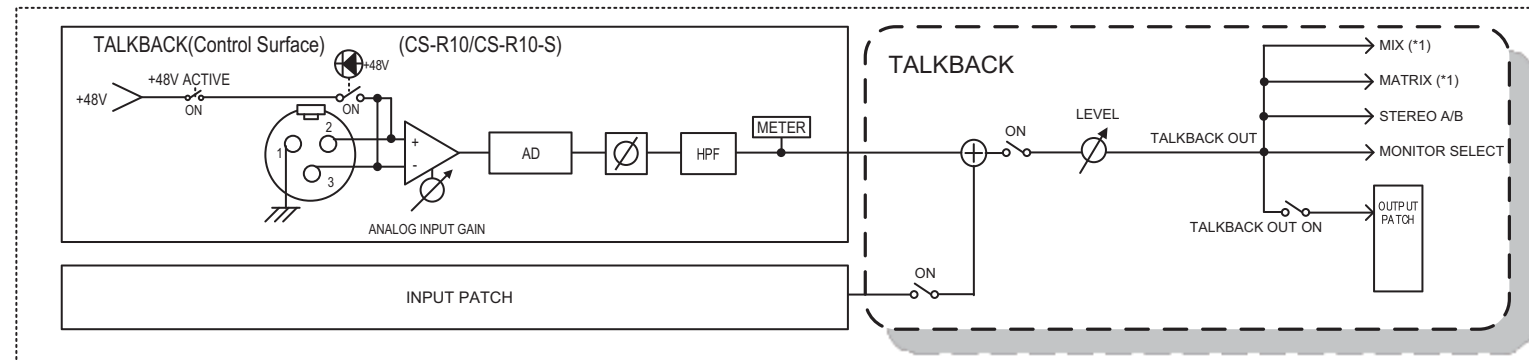
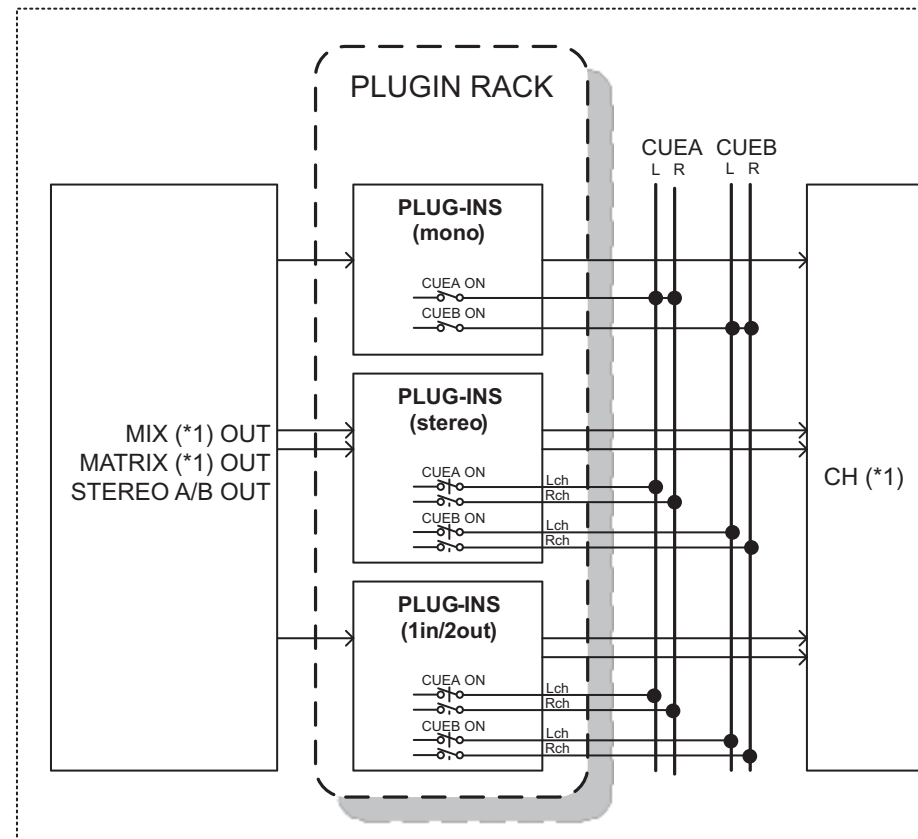


(\*1) The number of channels varies depending on the model. Refer to the following information.  
 CSD-R7: INPUT 1-144, MIX 1-60, MATRIX 1-36  
 DSP-R10: INPUT 1-144, MIX 1-72, MATRIX 1-36  
 DSP-RX-EX: INPUT 1-288, MIX 1-72, MATRIX 1-36  
 DSP-RX: INPUT 1-120, MIX 1-48, MATRIX 1-24

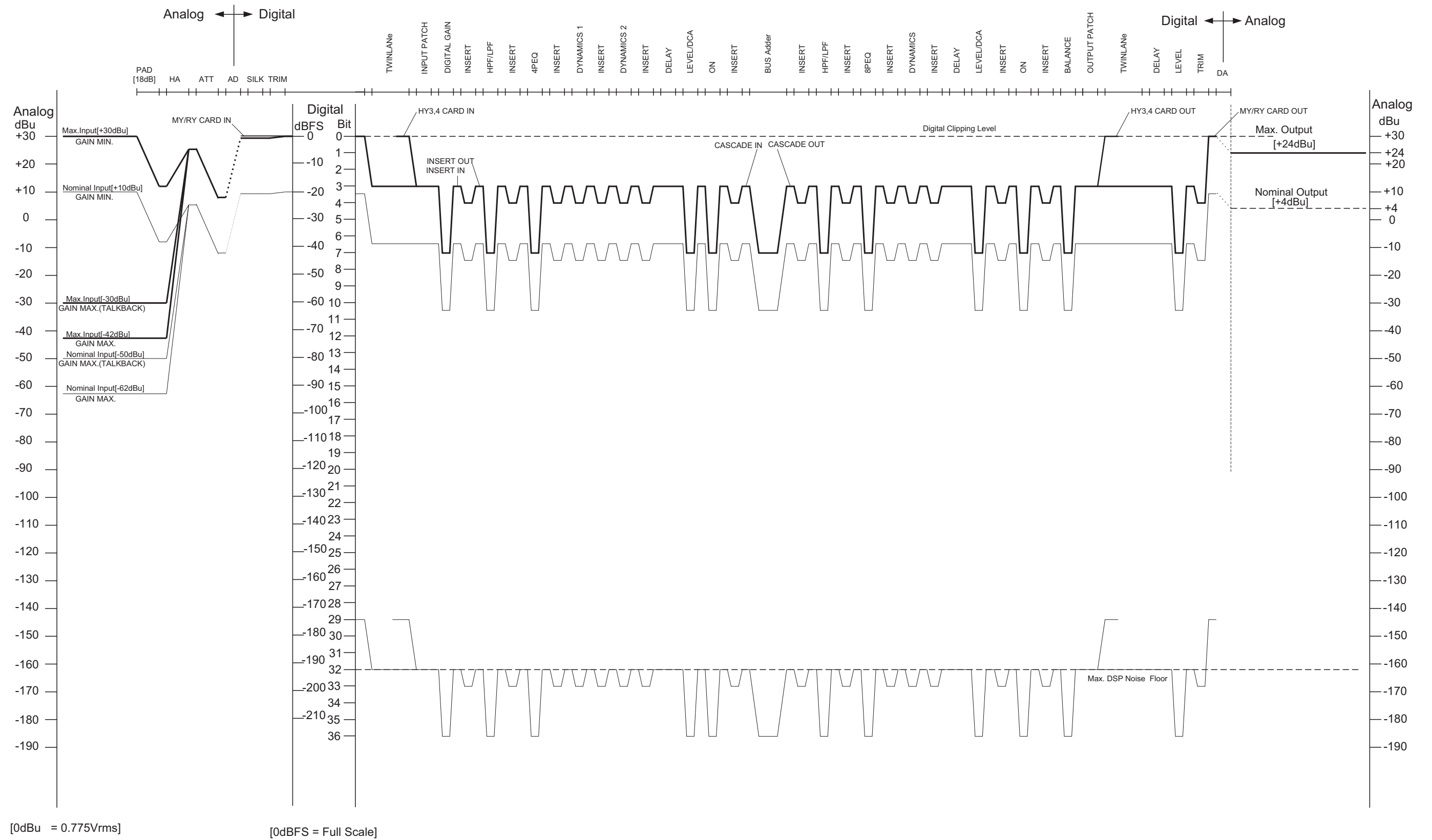


(\*1) The number of channels varies depending on the model.  
 Refer to the following information.  
 CSD-R7: INPUT 1-144, MIX 1-60, MATRIX 1-36  
 DSP-R10: INPUT 1-144, MIX 1-72, MATRIX 1-36  
 DSP-RX-EX: INPUT 1-288, MIX 1-72, MATRIX 1-36  
 DSP-RX: INPUT 1-120, MIX 1-48, MATRIX 1-24

(\*1) The number of channels varies depending on the model.  
 Refer to the following information.  
 CSD-R7: INPUT 1-144, MIX 1-60, MATRIX 1-36  
 DSP-R10: INPUT 1-144, MIX 1-72, MATRIX 1-36  
 DSP-RX-EX: INPUT 1-288, MIX 1-72, MATRIX 1-36  
 DSP-RX: INPUT 1-120, MIX 1-48, MATRIX 1-24



# Level Diagram



Yamaha Pro Audio global website  
<https://www.yamahaproaudio.com/>  
Yamaha Downloads  
<https://download.yamaha.com/>